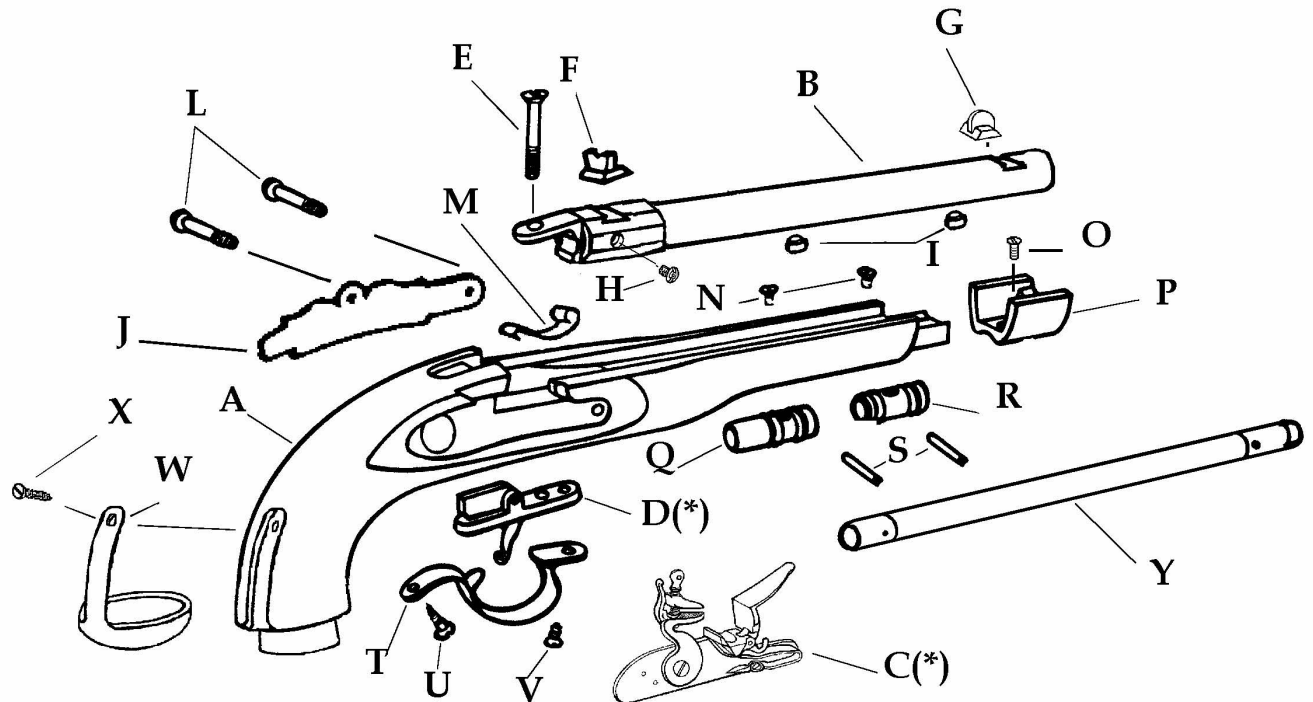


**- Pirate Pistol -**

**Models:      Finished**  
**P-1430**  
                   .50 cal. flint. 1-20"  
                   White Temper Barrel

**Kit**  
**KP-5400**  
                   .50 cal. flint. 1-20"  
                   White Barrel

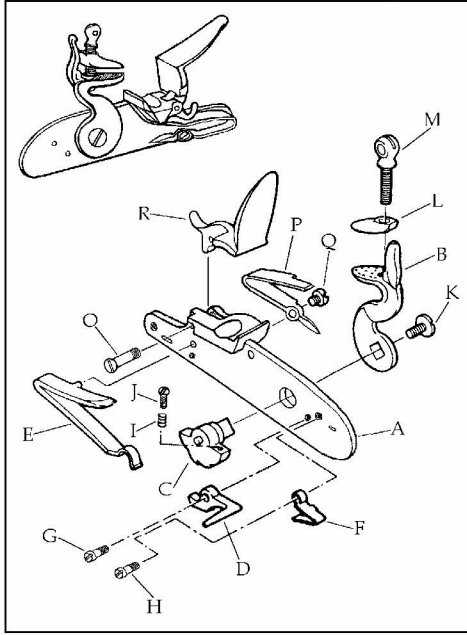


Description	Reference	Description	Reference
A Stock (Beech) (kit).....	K-14301	L Side Plate Screw (2).....	20820
Stock Beech (Flintlock) (Finished).....	FCS14301	M Ramrod Retaining Spring.....	20621
B Barrel Assembly (Kit)		N Ramrod Thimble Screw (2).....	20214
.50 cal. flint. (twist 1-20").....	C-143020	O Nose Cup Screw.....	20214
Barrel Assembly Blued (Finished)		P Nose Cap (Brass).....	27215
.50 cal. flint. (twist 1-20").....	FB143020	Q Rear Thimble.....	10613-B
C Flintlock.....	45903T	R Front Thimble.....	10613-A
D Trigger Assembly.....	20122	S Barrel Tenon Pin (2).....	20218
E Tang Screw.....	20209	T Trigger Guard (Brass).....	10423
F Rear Sight.....	20210	U Rear Trigger Guard Screw.....	20624
G Front Sight.....	11411	V Front Trigger Guard Screw.....	36014
H Touch Hole Insert.....	M38534	W Grip Cup (Brass).....	14315
I Barrel Tenon (2).....	20233	X Grip Cup Screw.....	20625
J Side Plate (Brass).....	21016	Y Ramrod.....	10628

(\*) Exploded view at the reverse.

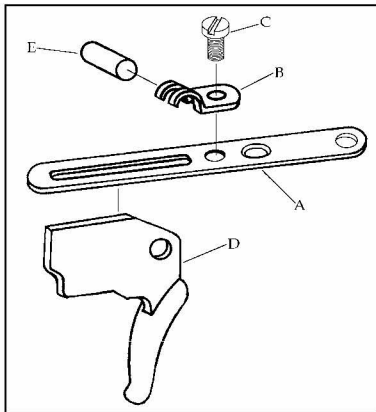
# TRADITIONS™

## Flintlock Assembly - Ref. 45903T



	Description	Reference
A	Lock Plate.....	70623T
B	Hammer.....	70624T
C	Tumbler.....	70603
D	Sear.....	70504
E	Mainspring.....	70505
F	Sear Spring.....	70506
G	Sear Screw.....	70514
H	Sear Spring Screw.....	70121
I	Sear Adjusting Screw Spring.....	70520
J	Sear Adjusting Screw.....	70518
K	Hammer Screw.....	75512P
L	Top Jaw.....	70309T
M	Top Jaw Screw.....	70513L
O	Frizzen Screw.....	70627
P	Frizzen Spring.....	70625
Q	Frizzen Spring Screw.....	70628
R	Frizzen.....	70626

## Trigger Assembly Ref. 20122



	Description	Reference
A	Trigger Plate.....	60301
B	Trigger Bridle.....	60403
C	Bridle Screw.....	60406
D	Trigger.....	60402
E	Pin.....	60404